

CONTAIN.

We produce a variety of totes for all your storage needs.



INSUL 12
LIVE CRAB TOTE WITH FEET



INSUL 12
LIVE CRAB TOTE W/O FEET



LIVE CRAB TOTE



INSUL 19
SMALL FISH TOTE



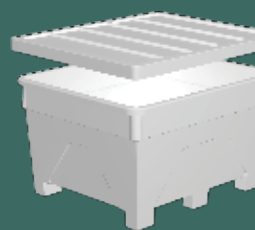
INSUL 23
MEDIUM FISH TOTE



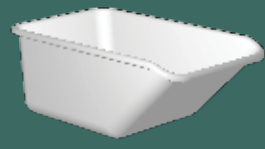
INSUL 31
LARGE FISH TOTE



INSUL 22



SINGLE WALL TOTE



BRAILER TUB

CONTACT.

Headquarters 2530 - 39 STREET NORTH, LETHBRIDGE, AB T1H 5J2

Toll Free 1.888.328.8176 Web Site WWW.FLEXAHOPPER.COM
Telephone 1.403.328.8146 Email INFO@FLEXAHOPPER.COM
Fax 1.403.328.8476



COMMITTED TO FISHING.

We at Flexahopper Plastics have been producing quality insulated containers for well over a quarter of a century. Our commitment to excellence combined with customer input has helped us develop the most innovative and user friendly products in the industry.

Let us protect your investment from the shores to the stores.

WE HAVE A FISHING CONTAINER FOR YOU.

LOBSTER. CRAB. FISH. YOU NAME IT.

We are committed to manufacturing quality products for the commercial fishing industry. We offer world-class customer service and continue to invest in advanced processing techniques and quality control. Whether it is lobster, crab or fish, we have the right product for you.

We are a rotational molding plastics company that has been around since 1967. We work with leading industries around the world, producing containers and specialized products for a variety of uses. If we don't have the right product, we can customize to suit your needs.

OPEN FOR DETAILS



R1-INSUL 19

	OUTSIDE	48¾" × 43½" × 25"
	INSIDE	43½" × 38½" × 17"
	15.6 CU-FT	97 IMP GAL
	117 US GAL	443 LITRES



R1-INSUL 22.5

	OUTSIDE	48¾" × 43½" × 34"
	INSIDE	43½" × 38½" × 24½"
	22.6 CU-FT	140 IMP GAL
	168 US GAL	638 LITRES



R1-INSUL 23

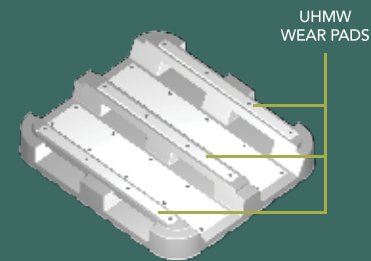
	OUTSIDE	48¾" × 43½" × 35½"
	INSIDE	43½" × 38½" × 26"
	25.7 CU-FT	160 IMP GAL
	192 US GAL	730 LITRES

INSUL-TAINER™

R1-INSUL 19, 22.5, 23, 31

Full Length 5-Position UHMW Wear Strips
 Custom Color
 Reinforced Fork Entry Slots for Rotation
 Name Plate for Two Sides
 Tare Wt. and Bin NO. on Two Sides
 Food Grade Gov't Approved Polyethylene Material
 CFC Free Foam R18+ Insulation
 Deep Side Overlap Lids do not require Tie Downs
 Stacks With or Without Cover
 Available With or Without Drains
 Custom Accessories Available

STACKS 3 HIGH WITH OR W/O LIDS IN REFRIGERATED VAN

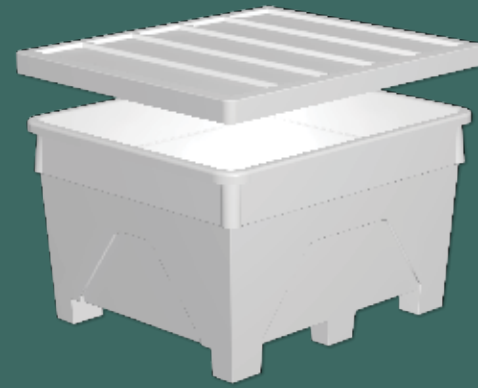


UHMW WEAR PADS



R1-INSUL 31

	OUTSIDE	48¾" × 43½" × 43½"
	INSIDE	43½" × 38½" × 34"
	31.2 CU-FT	194 IMP GAL
	234 US GAL	886 LITRES



SINGLE WALL TOTE

	OUTSIDE	48" × 40¾" × 29"
	18 CU-FT	112 IMP GAL
	135 US GAL	509 LITRES

SINGLE WALL TOTE

Optional Identification Features
 USDA/FDA Approved Materials
 4-Way Forklift Access
 Stacks With Lid
 85% Nestable
 Large Anti Jamming Lugs for Ease of Separation
 Stackable with Most Nestables
 7 Leg Posts

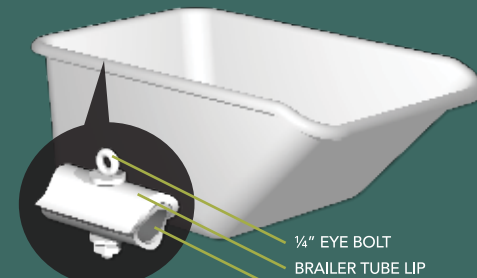
CUSTOM COLORS

If you need a custom color to set your Insul-Tainer™ apart, we can color match your existing totes or establish a unique color for your products.



BRAILER TUB

Stackable With Lid
 Max Static Load 1000 lbs
 85% Nestable
 Aluminum Tubing Under Lip For Maximum Support & Durability



BRAILER TUB

	OUTSIDE	48" × 40¾" × 29"
	102.5 US GAL	85.2 IMP GAL
	387.6 LITRES	



100% Canadian owned company

COMPATIBILITY

Our totes are 100% compatible with existing totes in the market, because we understand the importance of interchangeability and functionality through the process



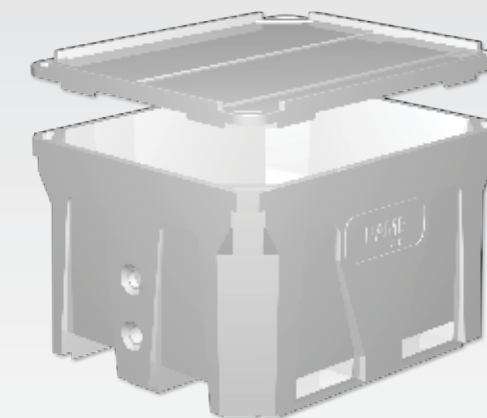
Since 2007 Flexahopper has demonstrated a strong commitment with the environment by using green energy that comes from wind and water sources across Canada.

BECAUSE GREEN MATTERS AND IT IS THE RIGHT THING TO DO.

INSUL-TAINER™

R1-INSUL 22

Full Length 3-Position UHMW Wear Strips
 Custom Color
 Reinforced Fork Entry Slots for Rotation
 Name Plate for Two Sides
 Food Grade Gov't Approved Polyethylene Material
 CFC Free Foam R18+ Insulation
 3 For 2 Stacking When Empty
 8 Leg Position Positive Lock For Safe Transport
 Stacks With or Without Cover
 Available With or Without Drains
 Custom Accessories Available



R1-INSUL 22

	OUTSIDE	48¼" × 40¼" × 29¾"
	INSIDE	46¼" × 38¼" × 23"
	22 CU-FT	137 IMP GAL
	164 US GAL	622 LITRES

INSUL-TAINER™

LIVE CRAB TOTE INSUL 12

Largest Capacity Half-Tote in Industry
 Full Length 2-Position UHMW Wear Strips
 Custom Color
 Name Plates
 Food Grade Gov't Approved Polyethylene Material
 CFC Free Foam R18+ Insulation
 Deep Side Overlap Lids do not require Tie Downs
 Stacks With or Without Cover
 Optional Lifting Hooks
 Removable Circulating Tube Available For Live Haul
 Available With or Without Drains
 Custom Accessories Available



INSUL 12

	OUTSIDE	48" × 24" × 32¾"
	INSIDE	43½" × 20" × 27"
	12 CU-FT	76 IMP GAL
	91 US GAL	345 LITRES



LIVE CRAB TOTE

Single Wall Design for Ease of Handling
 Aluminum Rail Under Lip for Slings
 Stacks With Lid / Nests Without
 Ideal for On-Board Storage
 Optional Colors & Name Plates Available
 Circulating Tube Available For Live Haul

LIVE CRAB TOTE

	OUTSIDE	42" × 24" × 21"
--	----------------	-----------------